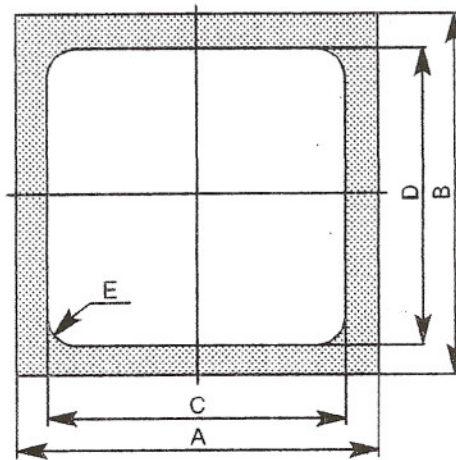
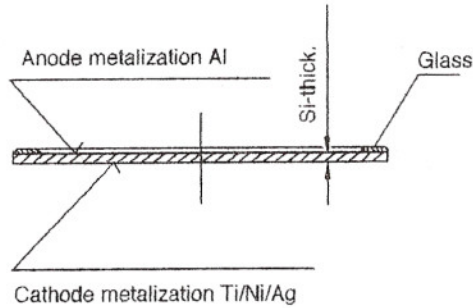




Sierra Components, Inc.

2222 Park Place Building 3 Suite E • Minden, Nevada 89423

Phone: 775.783.4940 Fax: 775.783.4947



Topside Metal: Aluminum
Backside Metal: Ti/Ni/Ag
Backside Potential: Cathode
Bond Pad Size: .004" min.

APPROVED BY:

DIE SIZE: .138" X .217"

DATE: 8/14/03

MFG: IXYS

THICKNESS: .015"

P/N: DWLP23-06A